

# Technical data sheet

## Product features



### Electric range with cabinet

<b>Model</b>	<b>SAP Code</b>	00014774
--------------	-----------------	----------



- Device type: Electric unit
- Power consumption of the zone 1 [kW]: 2,6
- Power consumption of the zone 2 [kW]: 2,6
- Power consumption of the zone 3 [kW]: 2,6
- Power consumption of the zone 4 [kW]: 2,6
- Power consumption of the zone 5 [kW]: 2,6
- Power consumption of the zone 6 [kW]: 2,6
- Protection of controls: IP24
- Material: AISI 304 top plate and cladding

<b>SAP Code</b>	00014774	<b>Number of zones</b>	6
<b>Net Width [mm]</b>	1200	<b>Power consumption of the zone 1 [kW]</b>	2,6
<b>Net Depth [mm]</b>	730	<b>Power consumption of the zone 2 [kW]</b>	2,6
<b>Net Height [mm]</b>	900	<b>Power consumption of the zone 3 [kW]</b>	2,6
<b>Net Weight [kg]</b>	86.00	<b>Power consumption of the zone 4 [kW]</b>	2,6
<b>Power electric [kW]</b>	15.600	<b>Power consumption of the zone 5 [kW]</b>	2,6
<b>Loading</b>	400 V / 3N - 50 Hz	<b>Power consumption of the zone 6 [kW]</b>	2,6

# Technical data sheet

Technical drawing

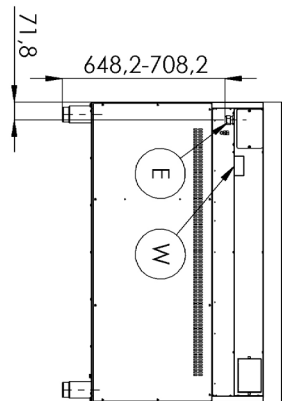
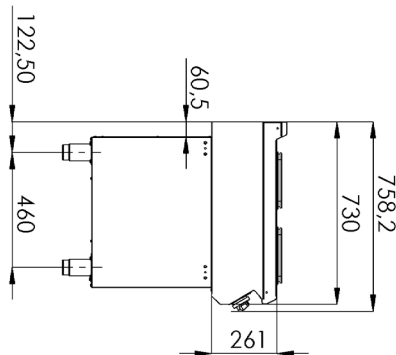
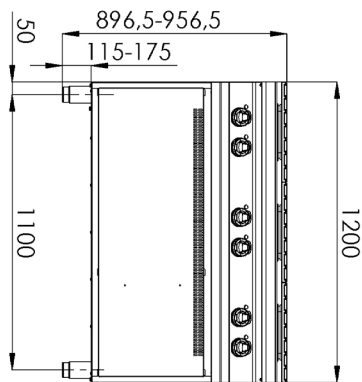


## Electric range with cabinet

Model

SAP Code

00014774



# Technical data sheet

## Technical parameters



### Electric range with cabinet

**Model**

**SAP Code**

00014774

**1. SAP Code:**

00014774

**2. Net Width [mm]:**

1200

**3. Net Depth [mm]:**

730

**4. Net Height [mm]:**

900

**5. Net Weight [kg]:**

86.00

**6. Gross Width [mm]:**

1260

**7. Gross depth [mm]:**

820

**8. Gross Height [mm]:**

1080

**9. Gross Weight [kg]:**

103.00

**10. Device type:**

Electric unit

**11. Construction type of device:**

With substructure

**12. Power electric [kW]:**

15.600

**13. Loading:**

400 V / 3N - 50 Hz

**14. Protection of controls:**

IP24

**15. Exterior color of the device:**

Stainless steel

**16. Material:**

AISI 304 top plate and cladding

**17. Indicators:**

operation

**18. Worktop type:**

Molded - comfortable cleaning maintenance

**19. Worktop material:**

AISI 304

**20. Worktop Thickness [mm]:**

1.50

**21. Number of zones:**

6

**22. Power consumption of the zone 1 [kW]:**

2,6

**23. Power consumption of the zone 2 [kW]:**

2,6

**24. Power consumption of the zone 3 [kW]:**

2,6

**25. Power consumption of the zone 4 [kW]:**

2,6

**26. Power consumption of the zone 5 [kW]:**

2,6

**27. Power consumption of the zone 6 [kW]:**

2,6

**28. Maximum device temperature [°C]:**

400

# Technical data sheet

Technical parameters



## Electric range with cabinet

**Model**

**SAP Code**

00014774

**29. Minimum device temperature [°C]:**

50

**32. Number of burners/hot plates:**

6

**30. Service accessibility:**

Trough the frontal panel

**33. Type of electric cooking zones:**

Squared

**31. Adjustable feet:**

Yes